

ALURAD®

Perfect Radiator

DIRECTIONS FOR MOUNTING AND USE

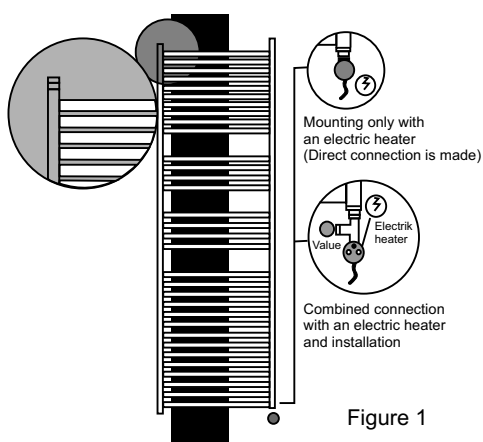


Figure 1

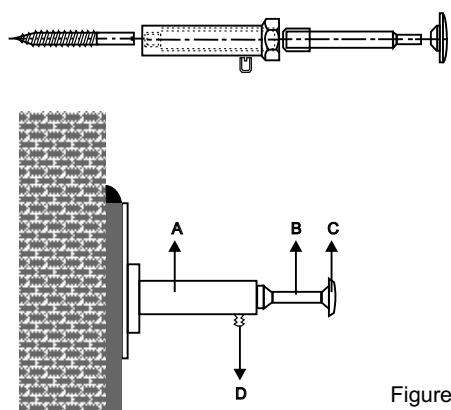


Figure 2a

- 1 Air Release Purger**
The air release purgers are located at the upper end points of the radiator. If the radiator is requested to be equipped only with an electric heater, then either a "limit safety purger" should be mounted on the radiator instead of the normal air purger or the water level in the radiator must be maintained to be approx. 5 cm below the top of the radiator in order to allow for expansion of water. The mounting should be made so that the multi-column side will be at the bottom.

- 2 Adjustable Mounting Elements** The adjustable mounting elements consist of two interlocked pieces designated by A and B as shown in Figure 2a.

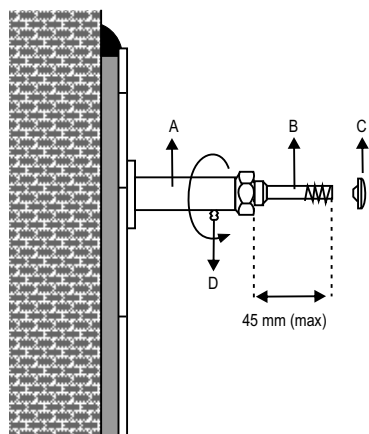


Figure 2b

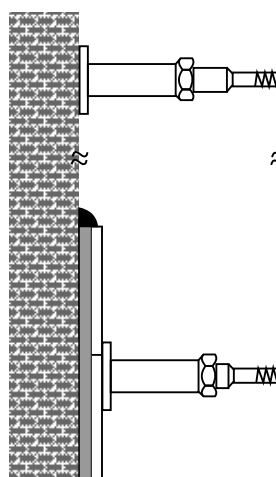


Figure 2c

The adjustment of mounting elements shall be achieved by turning the piece B rightwise or leftwise. The adjustment distance is maximum 30 mm. In order to prevent the movement of piece B, the piece D must be tightened without fail.

Thanks to these mounting elements, the radiator can be easily mounted on the half-finished stepped walls and, provided that it will remain within the area of adjustment, at any desired distance without requiring an additional extension element.

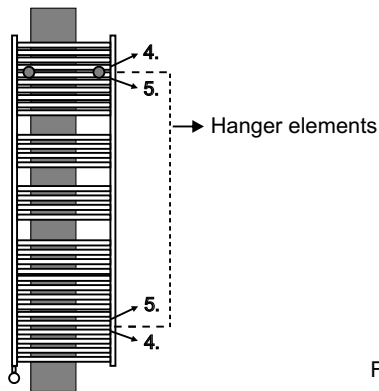


Figure 3a

- 3** The mounting elements shall be fitted to the second uppermost and lowermost columns of the radiator as to maintain a distance of approx. 400mm between them.

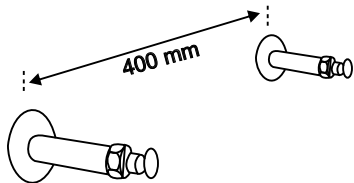


Figure 3b

The radiator shall be fixed to the wall by means of 4 mounting elements, two used at the top and two at the bottom.

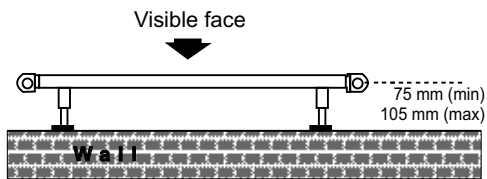


Figure 5

- 5** The connection of radiator to the installation shall be made from the bottom ends, using the inlet and return valves (Figure 3a). The distance between the center line of radiator connection place and the wall should be min. 75 mm (Figure 5).

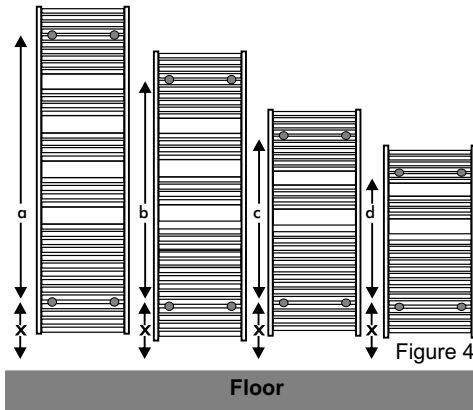


Figure 4

- 4** The stipulated distance between the mounting elements are shown in Figure 4 according to different radiator types.

a = 1520 mm x = 320 mm (min)
 b = 1280 mm Distance " x " is suitable for
 c = 960 mm reinforcement with a special
 d = 720 mm electric heater.

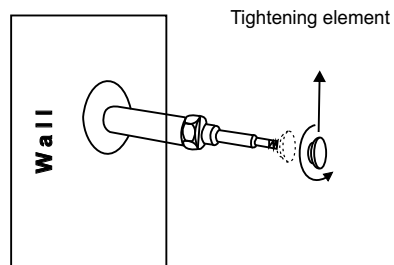


Figure 6

- 6** Remove the tightening nuts from the mounting elements by turning them leftwise, and fix the radiator.

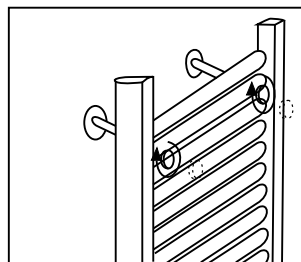


Figure 7

- 7** Re-fit the tightening nuts and tighten them with care. Check whether or not the radiator has been mounted on the wall securely. Follow the same procedure for each of the 4 mounting elements.

* An inhibitor capsule unique to Alurad is fitted to all radiators during manufacture in order to provide protection against all kinds of corrosion. If the system as a whole is desired to be protected against freezing as well as various kinds of corrosion, the use of ANTICOR 121 is recommended. **Feniş Teknik** may not be held liable for any problems that might arise from the use of another corrosion inhibitor or antifreeze.